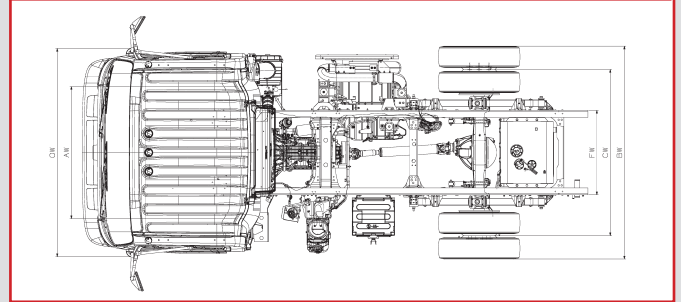
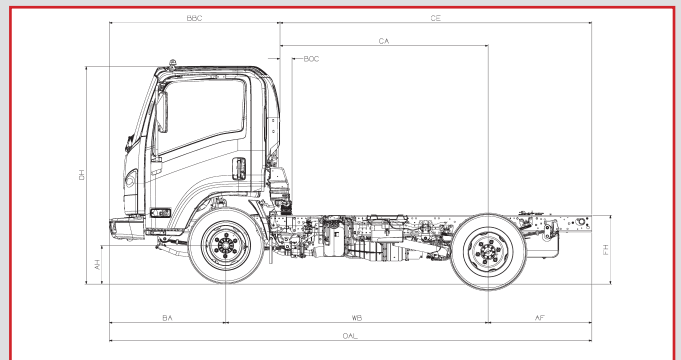


# ISUZU NPRxD

## STANDARD CAB

<b>GVWR/GCWR</b>	16,000/22,000 lbs.
<b>BODY/PAYLOAD ALLOWANCE</b>	9,410-9,607 lbs.
<b>GAWR</b>	
Front	6,630 lbs.
Rear	11,020 lbs.
<b>FRONT AXLE CAPACITY</b>	6,830 lbs.
<b>REAR AXLE CAPACITY</b>	11,020 lbs.
Ratio	4.777
<b>SUSPENSION F/R SPRINGS</b>	Tapered/Multi-Leaf
Capacity	8,440/14,308 lbs.
<b>FRAME</b>	
Section Modulus	7.20 in. <sup>3</sup>
Resistance Bending Moment	316,800 lb.-ft./in.
<b>SERVICE BRAKES</b>	Vacuum/Hydraulic with
Front/Rear	4-Channel ABS Disc/Drum
<b>EXHAUST BRAKE</b>	Standard
<b>TRANSMISSION</b>	Aisin A465 6-speed auto. with double overdrive and lock-up 2 <sup>nd</sup> -6 <sup>th</sup> gears
<b>ENGINE</b>	Isuzu 4HK1-TC turbocharged intercooled diesel
Displacement	5.2L (317 in. <sup>3</sup> )
Engine Power	215hp @ 2,500 rpm
Engine Torque	452 lb.-ft. @ 1,850 rpm
Oil Level Indicator	Dash-mounted oil level check switch and light
<b>LIMITED SLIP DIFFERENTIAL</b>	Optional
<b>ALTERNATOR</b>	140-amp
<b>BATTERIES</b>	2 Maintenance-Free 750-CCA
<b>TIRES LRR (Low Rolling Resistance)</b>	225/70R19.5F (12-pr) Standard
<b>STEERING</b>	Integral Hydraulic Power
<b>STEERING COLUMN</b>	Tilt and Telescopic
<b>FUEL TANK</b>	
Standard	30 Gal. in-rail
Optional	33 Gal. side mount (176" WB Only)
<b>FUEL/WATER SEPARATOR</b>	Dual fuel filter with dash mounted indicator light

# DIESEL



Wheelbase (in.)	Cab to Axle (in.)	Cab to End of Frame (in.)	Back of Cab (in.)	Overall Length (in.)	Body Length (ft.)	Overall Width (in.)	Axle Width (in.)	Overall Height (in.)
109.0	86.5	129.6	7.7	200.5	10-12	81.3	65.6	92.4
132.5	110.0	153.1	7.7	224.0	14	81.3	65.6	92.4
150.0	127.5	170.6	7.7	241.5	16-18	81.3	65.6	92.4
176.0	153.5	196.6	7.7	267.5	18-20	81.3	65.6	92.4

### 2017 ISUZU N-SERIES DIESEL WARRANTY COVERAGE AT A GLANCE

Vehicle Coverage	Warranty Limitations (Time or Mileage, Whichever Comes First)*		Percentage Of Dealer's Normal Charge Paid By Owner	
	Time in years*	Vehicle miles*	Parts	Labor
Basic	0-3 Years	Unlimited	No Charge	No Charge
Engine	0-3 Years	Unlimited	No Charge	No Charge
• Transmission • Drive Axle • Driveshaft • Front Axle I-Beam • Crossmembers • Flywheel Housing • Clutch Housing	0-3 Years	Unlimited	No Charge	No Charge
Frame Rails	0-3 Years 3-5 Years	Unlimited Unlimited	No Charge 50%	No Charge 50%
Engine Emissions Control System - Federal	0-5 Years	0-100,000	No Charge	No Charge
Tires	0-2 Years	0-24,000	No Charge	No Charge
Corrosion (Rust Through)	0-4 Years	Unlimited	No Charge	No Charge

\* The warranty coverages are determined by the mileage of the vehicle and the number of years from the delivery date.

See your authorized Isuzu dealer for warranty details.

